

Interframes

Front, Rear, Side Withdrawal and HEPA Filter Applications

All frames can be manufactured in galvanised or stainless steel.

Frames can be pre-drilled to assist site assembly.

Front Withdrawal Frames



Standard sizes available are 610 x 610mm, 610 x 508mm and 610 x 305mm. Other sizes can be made to order. In conjunction with Interfilta retaining clips, these frames can be used with the complete Interfilta product range. Primary and secondary filters can be accommodated in the same frame. For rigidity in multiple 'banks', stiffening bars are provided. In multiple 'banks', frames are fixed side by side and/or above one another.

Side Withdrawal Frames



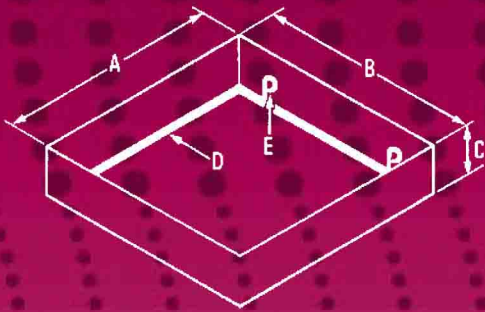
These are manufactured in the same materials as front/rear mounted frames and incorporate a double channel section. An 'empty' 50mm channel is provided to facilitate fixing. A parallel channel of the required width comes complete with a brush nylon seal to accommodate the selected filter type. Combination frames are available as standard to house primary and secondary filters in the same frame. Vertical stiffening sections provide added rigidity, and each frame is complete with an access door.

Front/Side Withdrawal HEPA Base Frames



HEPA frames are supplied as standard with two fixing points and retaining bar. If required, frames can be complete with double retaining bars (Picture). The clamp bolts are designed to ensure no leak paths between filter and frame, and are the swing type for quick release and easy changing of the filter. Frames also available for other filter sizes. Side withdrawal frames and housings made to suit your application.

Front Withdrawal Frames



HxWxD Nominal Size (ins)	HxWxD Actual Size (mm)
24 x 12 x 3	610 x 305 x 75
20 x 20 x 3	508 x 508 x 75
24 x 24 x 3	610 x 610 x 75
24 x 20 x 3	610 x 508 x 75

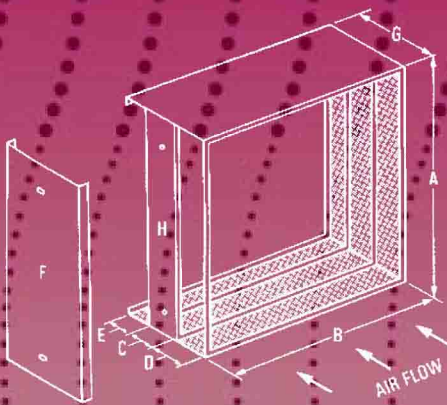
Key to illustrations

- A = Height
- B = Width
- C = Depth
- D = Neoprene Seal
- E = Clip

Notes

1. Frames are supplied complete with clips and seal, four clips per frame. Interfilta clips are available in the following sizes to accommodate various filter depths. 1" 2" 3" 4" 5" 6".
2. Each frame is complete with a neoprene seal bonded to the sealing surface of the holding frame.
3. High temperature seal can be supplied if required.

Side Withdrawal Frames

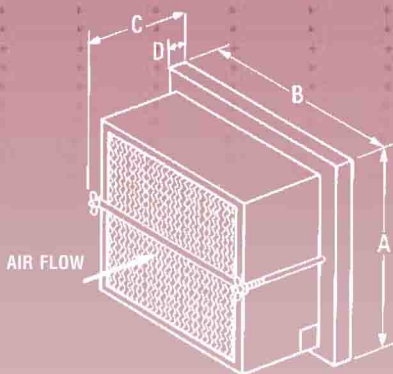


- A - Dimension - Height 300 or 600mm.
- B - Dimension - Width 300 to 2400mm in increments of 300mm.
- C - Empty 50mm channel for fixing adjacent side withdrawal frames together.
- D & E Channels to locate primary and secondary filters. For depth see G.
- F - Access door with fixing drill holes to match those on H.
- G - Dimension - Depth - varies as per the following:
 - 75mm Single filter channel for 25mm pre-filter or 22mm header secondary filter.
 - 100mm Single filter channel for 50mm pre-filter or PHF.
 - 125mm Double filter channel for 50mm pre-filter & 22mm header secondary filter.
 - 150mm Single filter channel for 100mm panel type filter.
 - 175mm Double filter channel for 100mm panel type filter & 22mm header secondary filter.
- H - Solid Panel.

Notes

1. Side withdrawal frames are provided with single or double filter channels. Double channel shown above.
2. Channels are equipped with brush nylon seals to ensure no air by-pass between filter and frame.

Front/Side Withdrawal HEPA Base Frames



To Fit 156mm Deep Filters		To Fit 298mm Deep Filters	
HEPA Filter only depth 'C'	HEPA Filter plus pre-filter depth 'C'	HEPA Filter only depth 'C'	HEPA Filter plus pre-filter depth 'C'
236	296	380	440

Number of Filters	Filter Configuration	To Fit Standard 610x610mm filter face	
		Height 'A' (mm)	Width 'B' (mm)
1	Single	650	650
2	1 x 2	650	1300
3	1 x 3	650	1950
4	1 x 4	650	2600
4	2 x 2	1300	1300
6	2 x 3	1300	1950
8	2 x 4	1300	2600
9	3 x 3	1950	1950
12	3 x 4	1950	2600
16	4 x 4	2600	2600

Drawing shows HEPA holding frame, in single configuration for a standard 156mm deep filter, without a pre-filter in position.

A=Height 650mm B=Width 650mm C=Depth 236mm D=Depth 40mm

SHAMON AIR & FILTRATION
EQUIPMENT NZ LTD
 Ph +64 9 580 0075
 Fax +64 9 580 0076
 WWW.SAFE.CO.NZ